

# C60 F series

321mm~444mm

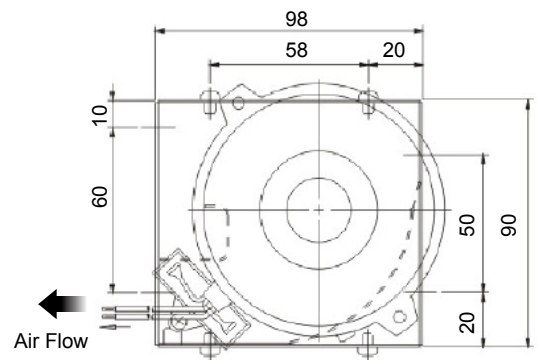
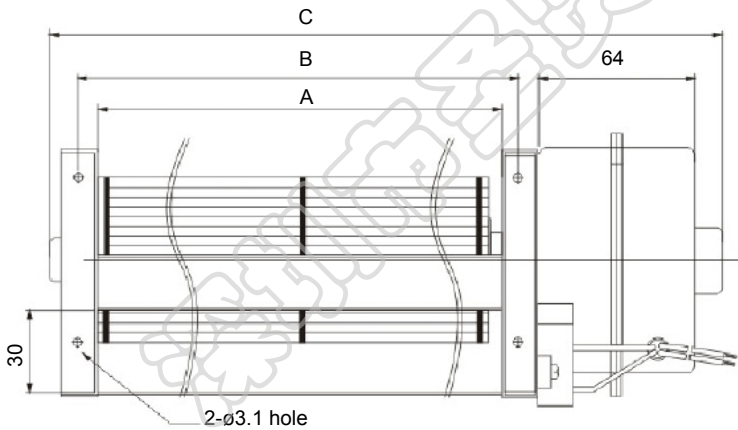
## General Specifications

- Motor : Induction capacitor motor
- Frame & Impeller : Metal
- Storage temperature : -40° to +75°
- Operating temperature : -10° to +65°



## Major Characteristic Parameters

Model	Size(mm)			Rated Voltage	Rated Frequency	Rated Current	Input Power	Rated Speed	Maximum Air Flow		Maximum Static Pressure		Sound Level	Weight
	Part NO.	A	B						C	V	Hz	A		
CC60300A11	306	321	411	110	60	0.33	37	2800	5.5	194.34	7.4	0.291	55	1640
CC60300A22	306	321	411	220	50	0.14	30	2600	5.2	183.74	5.0	0.196	53	1640
CC60360A11	368	383	473	110	60	0.35	39	2500	6.5	229.68	5.5	0.216	56	1710
CC60360A22	368	383	473	220	50	0.16	34	2500	6.5	229.68	5.5	0.216	56	1710
CC60420A11	429	444	534	110	60	0.36	40	2400	6.8	240.28	4.8	0.188	56	1785
CC60420A22	429	444	534	220	50	0.17	36	2400	6.8	240.28	4.8	0.188	56	1785



unit:mm

